

SCALIC

ANNIVERSARY range

Contents

	Page
Range introduction, product concept, lists of versions	2
1 Raster lowboard, 4 Raster sideboard with sliding-doors	3
4 and 6 Raster single units, cabinet	4
Glass wall unit, 6 Raster wall unit	5
Column system, flat screen supports	6
Accessories	7
Lamps, Magic-Tronic, remote control unit	8

SCALIC is a range made up of single units, whose noble design and fascinating high-gloss convey a feeling of timeless elegance. A most extravagant appearance and exclusive colours characterise the units, which can be placed alone in the form of solitary units, combined with one another at will or even placed alongside or on top of one another to create some innovative room concepts. They almost appear to hover when fitted on walls or placed on the floor on their receding plinth, thus creating a decidedly modern ambience.

Extraordinary suites can be assembled for the living and dining room which owe their unmistakable signature in their concept and atmosphere to the use of lowboards and sideboards, single units, cabinets, as well as wall units. The perfect interplay between fine high-gloss lacquers as well as natural oak and walnut can be interpreted in a completely individual way thanks to the design of the units and the special range of available colours, all of which are just perfect for combining.

In a more lively or modest tone – the outstanding visual effect of the SCALIC range is achieved on the basis of using colourful PUR lacquers which retain their outstanding characteristics as a result of their colourless **hülsta-EverGloss** seal and subsequent polishing procedures – combining a dreamy high-gloss surface finish with highly impressive durability when subjected to daily wear. The units are insensitive to pressure, scratching, the influence of chemicals or even the effects of sunlight. The surfaces of the SCALIC units thus retain their glossy brilliance and are easy to care for. Their composition is so safe that this type of coating can even be used for children's toys, because the **hülsta-EverGloss** finish fulfils even the strict requirements of test norm EN 71-3.

Important notes: Generally speaking, you as a dealer/qualified fitter are responsible for the correct wall mounting of the units. That is why wall mounting should only be carried out by properly trained and qualified fitters. hülsta supplies materials for mounting units on walls for nearly all the units and which should be used for safety and for constructional reasons. The assembly materials supplied by hülsta (plugs, screws) are only suitable for fitting components on to concrete in firmness class (C12/15). For other materials (please see separate materials table in the wall composition chapter) we provide you with an assembly mortar set as an extra order. Please note that this assembly mortar set is also only suitable for the materials listed in the materials table. If walls are made up of other materials (e.g. plastered or lighter wall materials), one should use another method of mounting better suited to the load on site. Please note that if the units are not mounted properly on the wall, there is a risk of the units falling down or tipping over – especially when alternative mounting materials acquired on site have been used. For the reasons stated above it is absolutely essential to enquire about the composition of any walls before signing any contracts.

- Drawer frames in standard beech
- Max. load of wooden shelves (up to 55 cm width) and drawers: 25 kg
Max. load of wooden shelves (from 55 cm width): 15 kg
Please also note any existing maximum load details stated for the individual units later in this type list!
- **hülsta-SoftFlow:** All drawers on hidden roller bearings with cushioned auto pull-in feature as fully pull-out units
- **hülsta-MagicClose:** All wooden hinge-doors with cushioned door hinge
- **hülsta-EverGloss:** Pressure- and scratch-resistant and extremely robust surface seal

List of versions System colours	
Model no.	Versions
600	High-gloss white lacquer
601	High-gloss cream lacquer
602	High-gloss black lacquer

List of versions Colour touches	
Model no.	Versions
605	High-gloss ruby-red lacquer
609	High-gloss petrol lacquer

Certain models are also available in natural oak, walnut or colour touches (colour touches are especially marked).
Please state all versions clearly in the order!

Units, available in colour touches, are especially marked!

Notes on delivery:

The majority of the units are delivered standard as **fully connected units (glued)** so that the carcass **cannot be disassembled**. There are however some **exceptions** to this rule:

- 1.) Some carcasses are delivered as complete units but can be **disassembled into individual sections** in the final customer's home. These types are marked with a **1** in the type list.
- 2.) Some carcasses are delivered **in individual sections** because of their size. These types are marked with a **2** in the type list.

The fronts with the number **2** are delivered separately and can therefore always be (dis-) assembled.

Assembly notes for wall units:

The majority of units have two wall mounting points (= number of support boards), if these are to be fitted as wall units. This is not explicitly mentioned in the type list. If a different number of wall mounting points (= support boards) is required, this is marked in the drawings in the type list with numbers in black boxes. Please be sure to note here the information and notes in the "Wall composition" chapter!

3
4

Please state all versions clearly in the order!

Notes on delivery 1 2

Please see here the information on page 2!

Accessories: see pages 6-8!

SCALIC

1 Raster lowboard

1 Raster lowboard
25.0 cm high
55.0 cm deep

Incl. full-length top cover shelf, 2.5 cm thick, and receding split plinth, 5.0 cm high

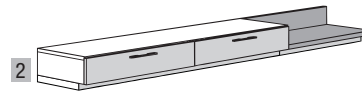
Inside carcass version:

Left and right carcass sides in matt lacquer, standard in the same colour as the outside carcass.

Top and bottom carcass end sections and partition in wood version, standard in the same version as the wall panel console.

Max. load: 60 kg

2 drawers, 1 wall panel console
(wall panel console optionally in natural oak or in walnut)



330 cm wide

Dark grey shading = Natural oak or walnut versions possible.

	Wall panel console in natural oak	Wall panel console in walnut
as illustr. v. versa	13311 13312	13301 13302

Valid from 27/12/2014 until 31/12/2015

4 Raster sideboard with sliding-doors

4 Raster sideboard with sliding-doors
82.6 cm high
46.0 cm deep

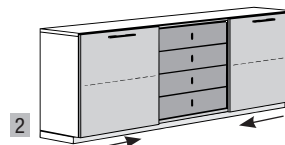
Incl. full-length top cover shelf, 2.5 cm thick, and receding plinth, 5.0 cm high

Inside carcass version:

Left and right carcass sides and bottom carcass section in matt lacquer, standard in the same colour as the outside carcass.

Top carcass end section, rear walls and fitted shelves behind sliding-doors and partitions in wood version. Please state the required wood version clearly in the order!

2 sliding-doors; 4 receding drawers (drawers optionally in high-gloss lacquer, natural oak or in walnut); with 1 fitted wooden shelf behind each sliding-door



247.5 cm wide

Dark grey shading = Natural oak or walnut versions possible.

	Drawers in natural oak	Drawers in walnut	Drawers in high-gloss lacquer
	42413	42403	42423

Please state all versions clearly in the order!

Notes on delivery

1 2

Please see here the information on page 2!

Accessories: see pages 6-8!

Lists of versions: see page 2

4 Raster single unit

4 Raster single unit
82.6 cm high
45.8 cm deep

Incl. top cover shelf,
2.5 cm thick, and receding
plinth, 5.0 cm high

Inside carcass version:

Left and right carcass sides in
matt lacquer, standard in the
same colour as the outside
carcass.
Top and bottom carcass end
sections in wood version.
Please state the required
wood version clearly in the
order!

4 drawers



110 cm wide

in system colour
(see list of versions)

41111

in colour touch: high-
gloss ruby-red lacquer
and high-gloss petrol
lacquer

6 Raster single unit

6 Raster single unit
121.0 cm high
45.8 cm deep

Incl. top cover shelf,
2.5 cm thick, and receding
plinth, 5.0 cm high

Inside carcass version:

Left and right carcass sides
in matt lacquer, standard
in the same colour as the
outside carcass.
Top and bottom carcass end
sections as well as the rear
wall and constructional shelf
in wood version. Please state
the required wood version
clearly in the order!

top 1 flap; bottom 3 drawers



55 cm wide

in system colour
(see list of versions)

6501

in colour touch: high-
gloss ruby-red lacquer
and high-gloss petrol
lacquer

Cabinet

Cabinet
206.6 cm high
45.8 cm deep

Incl. receding plinth,
5.0 cm high

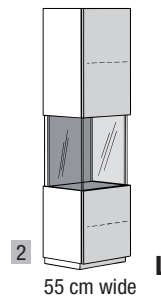
Doors with inlaid handle

Wall mounting necessary

Inside carcass version:

Top (and bottom) section behind
closed fronts: left and right carcass
sides in matt lacquer, standard in
the same colour as the outside
carcass. Top (and bottom) carcass
end section, rear walls and fitted
shelves in wood version, standard
in the same version as the centre
section behind the clear glass front.
Centre section behind clear glass
front: rear wall and constructional
shelves optionally in wood version
or high-gloss lacquer.

1 full-length door; middle section of clear glass;
with 2 fitted wooden shelves



2

55 cm wide

L

Dark grey shading =
Natural oak or walnut versions
possible.

Rear wall and shelves in the
middle section in natural oak

11531 L
11532 R

Rear wall and shelves in the
middle section in walnut

10531 L
10532 R

Rear wall and shelves in the
middle section in high-gloss lacquer

12531 L
12532 R

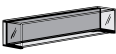
Please state all versions clearly in the order!

Notes on delivery 1 2
Please see here the information on page 2!

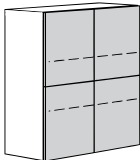
Assembly notes for wall units: Please be sure to note here the information and notes in the "Wall composition" chapter! 3 4

Glass wall unit

SCALIC

<p>Glass wall unit 20.0 cm high 21.8 cm deep</p> <p>Storage shelf and sides of clear glass, 1.0 cm thick, on 8.0 cm thick metal supports, high-gloss chrome</p> <p>Rear wall of glass wall unit optionally in high-gloss lacquer, natural oak or walnut.</p> <p>With optional indirect LED lighting, incl. footswitch (radio remote control unit is possible). This luminaire contains built-in LED lamps of the energy classes A++ to A. The lamps cannot be changed in the luminaire. 12 V; 6.6 W</p> <p>For fitting anywhere on walls</p> <p>Max. load: 10 kg</p>	<p>Glass wall unit</p>  <p>110 cm wide</p> <p>Dark grey shading = Natural oak or walnut versions possible.</p>						
	Rear wall in natural oak		Rear wall in walnut		Rear wall in high-gloss lacquer		
	without lamps	with indirect lighting	without lamps	with indirect lighting		without lamps	with indirect lighting
	11612	11712	10612	10712	in system colour (see list of versions)	12612	12712
				in colour touch: high-gloss ruby-red lacquer and high-gloss petrol lacquer			

6 Raster wall unit

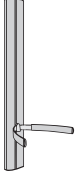


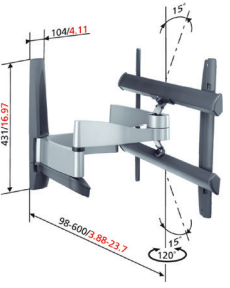
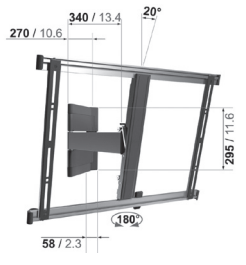
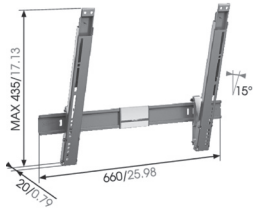
<p>6 Raster wall unit 115.2 cm high 35.3 cm deep</p> <p>For fitting anywhere on walls</p> <p>Doors with inlaid handle</p> <p>Inside carcass version: Left and right carcass sides as well as top and bottom carcass sections in matt lacquer, standard in the same version as the outside carcass. Rear wall and fitted shelves in wood version. Please state the required wood version clearly in the order!</p> <p>Max. load: 30 kg</p> <p>The wall unit can not be fitted directly on top of one another and must not be fitted below eye-level.</p>	<p>6 Raster wall unit with 2 doors with split-look front; with 2 fitted wooden shelves</p>  <p>110 cm wide</p>					
	in system colour (see list of versions)		61113			
	in colour touch: high-gloss ruby-red lacquer and high-gloss petrol lacquer					


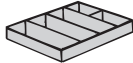

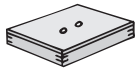



Valid from 27/12/2014 until 31/12/2015

Column system, flat screen supports

Lists of versions: see page 2

Valid from 27/12/2014 until 31/12/2015

<p>Column system consisting of a metal column (for fitting anywhere on wall) and of audio/DVD support(s), for fitting anywhere on column.</p> <p>Example of use:</p> 	<p>Columns of metal; for fitting anywhere on walls above top rim of plinth slot; cables can be laid and hidden at any height; audio/DVD supports can be fitted anywhere on the column.</p> 		<p>Audio/DVD support of metal; can be positioned at any height on the column and be adjusted to suit audio/DVD players of any size; with rubber padding at front to prevent units from slipping; max. load: 10 kg</p> 
	<p>36.8 cm high</p>	<p>64.1 cm high</p>	
	<p>9201</p>	<p>9202</p>	<p>9203</p>
<p>Flat screen support EFW 6345, ideally adaptable The flat screen support can be adjusted 3-dimensionally. It is suitable for 81-165 cm (32"-65") wide flat screens. Max. load: 45 kg. Go to www.vogels.com to check if your flat screen can be fitted on this flat screen support. Enter the name EFW 6345. After a few steps you can see if your flat screen TV is compatible with the flat screen support.</p> <p>Flat screen support compatible with VESA Norm standard: min.: 200 x 200 mm max.: 700 x 450 mm</p> 	<p>Flat screen support THIN 345, ideally adaptable The flat screen support can be adjusted 3-dimensionally. It is suitable for 81-140 cm (32"-55") wide flat screens with a maximum depth of 4.0 cm. Max. load: 25 kg. Go to www.vogels.com to check if your flat screen can be fitted on this flat screen support. Enter the name THIN 345. After a few steps you can see if your flat screen TV is compatible with the flat screen support.</p> <p>Flat screen support compatible with VESA Norm standard: min.: 100 x 100 mm max.: 600 x 400 mm</p> 		<p>Flat screen support THIN 315 The flat screen support can be angled up to a max. 15°. It is suitable for 81-140 cm (32"-55") wide flat screens with a maximum depth of 4.5 cm. Max. load: 25 kg. Go to www.vogels.com to check if your flat screen can be fitted on this flat screen support. Enter the name THIN 315. After a few steps you can see if your flat screen TV is compatible with the flat screen support.</p> <p>Flat screen support compatible with VESA Norm standard: min.: 100 x 100 mm max.: 600 x 400 mm</p> 
<p>for fitting anywhere on wall</p>	<p>for fitting anywhere on wall</p>		<p>for fitting anywhere on wall</p>
<p>9204</p>	<p>9304</p>		<p>9504</p>

 <p>Fitted wooden shelf optionally in natural oak or walnut, please state clearly in the order!</p> <div style="border: 1px solid black; padding: 5px; width: fit-content; margin: 10px auto;"> <p>Dark grey shading = Natural oak or walnut versions possible.</p> </div>	<p>Fitted wooden shelf for units 12531, 12532, 10531, 10532, 11531 and 11532</p> <p style="text-align: center;">053</p>	<p>Fitted wooden shelf for units 42423, 42403 and 42413</p> <p style="text-align: center;">083</p>	<p>Fitted wooden shelf for unit 61113</p> <p style="text-align: center;">1113</p>
 <p>(Example: quadruple drawer)</p> <p>Cutlery drawer inset Solid beech</p> <p>for drawers of 4 and 6 Raster single units/sideboards</p>	<p>Single drawer 10 x 6 x 33.5 cm</p> <p style="text-align: center;">111</p>	<p>Twin drawer 20 x 6 x 33.5 cm</p> <p style="text-align: center;">112</p>	<p>Quadruple drawer 40 x 6 x 33.5 cm</p> <p style="text-align: center;">113</p>
 <p>Tableau with felt stretch cover; for drawers of 4 and 6 Raster single units/sideboards</p> <p>Cutlery holders must be included for fitting in the tableau.</p>		<p>behind sliding-door of the 247.5 cm wide 4 Raster sideboard</p> <p style="text-align: center;">110</p>	<p>for 110 cm width</p> <p style="text-align: center;">117</p>
 <p>Cutlery box Solid beech with felt base and lid; for drawers of 4 and 6 Raster single units/sideboards</p> <p>Cutlery holders must be included for fitting in the cutlery box.</p>		<p>40 x 6 x 33.5 cm</p> <p style="text-align: center;">114</p>	<p>60 x 6 x 33.5 cm</p> <p style="text-align: center;">120</p>
 <p>Cutlery holder with felt stretch cover; necessary for fitting in cutlery box and tableau</p> <p>Set 1: for 60 pcs of cutlery Set 2: for 17 utensils</p>		<p>Set 1: for standard cutlery like spoons, forks, knives, etc.</p> <p style="text-align: center;">118</p>	<p>Set 2: for sauce ladles, cake forks, cake cutters, etc.</p> <p style="text-align: center;">119</p>
 <p>CD holder for drawers Please state exactly in your order and sketch for which drawer the CD holder is intended.</p>		<p>for 88 CD's (in lowboard), for 110 cm width</p> <p style="text-align: center;">1137</p>	<p>for 72 CD's (in single units) for 110 cm width</p> <p style="text-align: center;">1127</p>
 <p>Cable aperture for 1 Raster lowboard Silver-coloured; Ø 8.0 cm; A cable aperture can be made in the top cover shelf of the lowboard (at a surcharge). The cable aperture can be made at the rear of the cover shelf at the centre of the respective drawer fronts (see sketch). Centre of cable aperture from rear rim of the unit: 9.0 cm</p>		<p>Cable aperture in cover shelf above 1st drawer (from left)</p>	<p>Cable aperture in cover shelf above 2nd drawer (from left)</p> <p style="text-align: center;">K1</p>

Valid from 27/12/2014 until 31/12/2015

Integrated LED spotlamp

Lists of versions: see page 2



Integrated LED spotlamp for fitting in cabinets

This luminaire contains built-in LED lamps of the energy classes A++ to A. The lamps cannot be changed in the luminaire. 12 V; 3 W

7941

Magic-Tronic

The lamps are normally operated by an external footswitch. As an alternative we can also provide a **Magic-Tronic** switch, which is charged extra. By "stroking" the outer or top side of the unit at the same level as the invisible integrated sensor it is possible to switch all the lamps on and off ("Stroking method"). As an alternative the position of the hidden sensor can also be marked with a small metal plate on the furniture unit ("Marking method"). Lamps with a maximum power of 200 W can be operated by a Magic-Tronic unit (230 V). The footswitch is omitted when a Magic-Tronic unit is included.

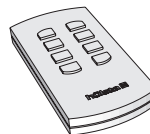
Please be sure to observe the information and notes regarding the assembly position given in the chapter "Switch options for lamps"!

7617

Remote control unit

The lamps are normally operated by an external footswitch. A 4-channel radio remote control unit (= transmitter), which is charged extra, is also available as an alternative. Several lamps (up to a total load of max. 30 W per preliminary transformer per receiver) can be switched on and off with each of the 4 channels. All 4 channels can be dimmed separately at the push of a button. The colour temperature of all 4 channels can be set from warm white to cold white (the basic setting of the LED lamps is cold white). If warm white is required, a radio remote control unit must be ordered. It is also possible to switch all channels on and off simultaneously with the "all on" or "all off" buttons. Up to 4 receivers can be operated with one radio remote control unit. **Transmitters and receivers must be ordered separately.** The footswitch is omitted when the radio remote control unit is employed.

Only the LED lamps included in the SCALIC range can be operated using this remote control unit. Remote control unit is not compatible with hülsta lamps from other ranges.



Price per transmitter	Price per receiver
2016	2017

Valid from 27/12/2014 until 31/12/2015